

Modular Acoustic Enclosure

20-300KVA Range(HQS)



The compact modular design of the 20– 300 kva HQS enclosures ensure optimum performance in the harshest of environments. Designed on modular principles, they have interchangeable components permitting on-site repair. Lift off doors and access panels provide optimal service and maintenance access.

Extremely durable and robust, the enclosures are designed to resist corrosion and handling damage with the ability to withstand rough handling common on many construction sites.

Developed through continuing research and development by our specialist engineers, all Huaquan enclosures are fully weatherproof and incorporate internally mounted exhaust silencers.

The sound attenuated HQS enclosures reduce sound levels to comply levels of the European Community Directive 2000/14/EC, effective from 3 January 2006.

Excellent Access for Maintenance

- 1.Side hinged doors on both sides of the enclosure opening to 180°
- 2.Side hinged doors lift off at 90°
- 3.Removable front and rear access panels
- 4.Lube oil and coolant drain valves

Robust/Highly Corrosion Resistant Construction

- 1.High grade steel protected by powder coat paint (HQS)
- 2.Black finish stainless steel locks and hinges
- 3.Zinc plated / stainless steel fasteners

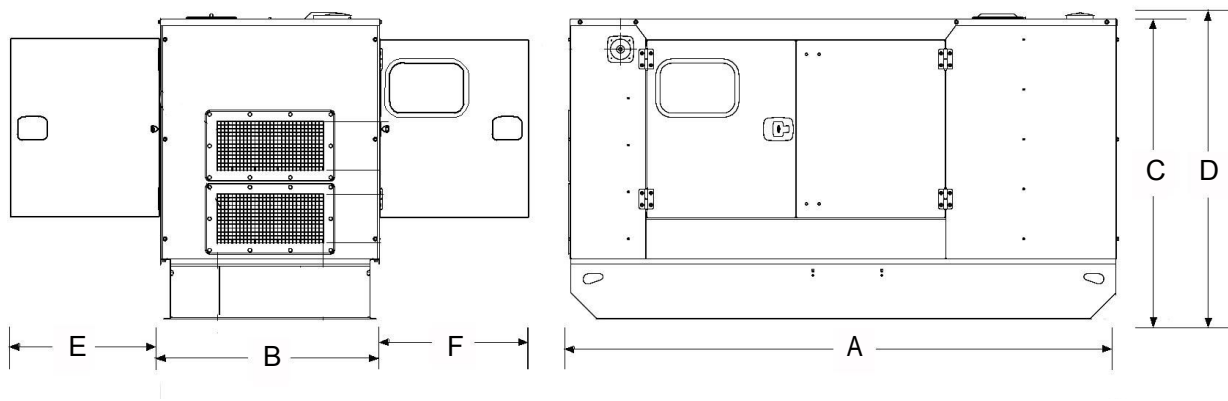
Transportability

Lifting points on base frame facilitating handling from both sides

Security and Safety

1. Control panel viewing via large viewing window in lockable enclosure door
2. Emergency stop push button mounted on enclosure exterior below control panel
3. Cooling fan and battery charging alternator fully guarded
4. Fuel fill and battery can only be reached via lockable access doors
5. Fully enclosed exhaust silencing system for operator safety

*Clearance required both sides; Weight with lube oil, no coolant, no fuel.



In line with our policy of continuous product development, we reserve the right to change specification without notice.

Sound Pressure Levels (dBA) for HQS Enclosure

Generator Set Model		50 Hz						60 Hz					
		15 m (50 ft)		7 m (23 ft)		1 m (3 ft)		15 m (50 ft)		7 m (23 ft)		1 m (3 ft)	
		75% Load	100% Load	75% Load	100% Load	75% Load	100% Load	75% Load	100% Load	75% Load	100% Load	75% Load	100% Load
Single Phase													
HQ30GF	Prime	59.4	61.3	65.4	67.3	76.5	78.6	62.1	62.9	68.1	68.9	79.3	80.5
	Standby	60.0	62.1	66	68.1	77.1	79.6	62.4	63.6	68.4	69.6	79.8	81.4
HQ40GF	Prime	56.1	57.0	62.1	63.0	73.7	74.8	59.5	61.2	65.5	67.2	78.2	80.2
	Standby	56.4	57.5	62.4	63.5	74.0	75.3	60.1	62.1	66.1	68.1	78.9	81.4
HQ50GF	Prime	57.0	58.7	63.0	64.7	74.8	76.7	61.4	64.2	67.4	70.2	80.5	84.0
	Standby	57.3	59.4	63.3	65.4	75.2	77.5	62.1	65.4	68.1	71.4	81.4	85.5
HQ60GF	Prime	58.2	59.4	64.2	65.4	76.2	77.6	-	-	-	-	-	-
	Standby	58.5	59.9	64.5	65.9	76.6	78.3	-	-	-	-	-	-
HQ80GF	Prime	65.3	66.0	71.3	72.0	81.8	82.4	65.7	66.7	71.7	72.7	81.9	82.4
	Standby	65.5	66.3	71.5	72.3	82.0	82.7	66.0	67.2	72.0	73.2	82.1	82.7
HQ100GF	Prime	60.3	60.6	66.3	66.6	78.9	79.1	-	-	-	-	-	-
	Standby	60.4	60.8	66.4	66.8	79.0	79.2	-	-	-	-	-	-
Three Phase													
HQ30HG	Prime	61.0	62.4	67.0	68.4	77.7	79.1	62.2	63.1	68.2	69.1	79.4	80.8
	Standby	61.4	63.1	67.4	69.1	78.1	79.8	62.4	63.6	68.4	69.6	79.8	81.4
HQ40GF	Prime	61.0	62.4	67.0	68.4	77.7	79.1	-	-	-	-	-	-
	Standby	61.4	63.1	67.4	69.1	78.1	79.8	-	-	-	-	-	-
HQ50GF	Prime	56.1	57.0	62.1	63.0	73.7	74.8	59.5	61.2	65.5	67.2	78.2	80.2
	Standby	56.4	57.5	62.4	63.5	74.0	75.3	60.1	62.1	66.1	68.1	78.9	81.4
HQ60GF	Prime	56.4	57.5	62.4	63.5	74.0	75.3	60.1	62.1	66.1	68.1	78.9	81.4
	Standby	56.7	58.1	62.7	64.1	74.4	76.0	60.7	63.1	66.7	69.1	79.7	82.6
HQ75GF	Prime	57.0	58.7	63.0	64.7	74.8	76.7	61.4	64.2	67.4	70.2	80.5	84.0
	Standby	57.3	59.4	63.3	65.4	75.2	77.5	62.1	65.4	68.1	71.4	81.4	85.5
HQ80GF	Prime	58.1	59.2	64.1	65.2	76.1	77.4	-	-	-	-	-	-
	Standby	58.3	59.6	64.3	65.6	76.4	77.9	-	-	-	-	-	-
HQ90GF	Prime	59.2	61.0	65.2	67.0	77.4	79.5	60.6	62.5	66.6	68.5	79.4	81.1
	Standby	59.7	61.8	65.7	67.8	78.0	80.5	61.1	63.4	67.1	69.4	79.8	81.9
HQ100GF	Prime	60.3	60.6	66.3	66.6	78.9	79.1	-	-	-	-	-	-
	Standby	60.4	60.8	66.4	66.8	79.0	79.2	-	-	-	-	-	-
HQ110GF	Prime	65.3	66.0	71.3	72.0	81.8	82.4	65.7	66.7	71.7	72.7	81.9	82.4
	Standby	65.5	66.3	71.5	72.3	82.0	82.7	66.0	67.2	72.0	73.2	82.1	82.7
HQ120GF	Prime	60.6	61.0	66.6	67.0	79.1	79.3	-	-	-	-	-	-
	Standby	60.7	61.2	66.7	67.2	79.1	79.5	-	-	-	-	-	-
HQ150GF	Prime	59.5	60.5	65.5	66.5	78.4	78.9	61.3	61.5	67.3	67.5	81.0	81.2
	Standby	59.8	60.9	65.8	66.9	78.5	79.2	61.4	61.6	67.4	67.6	81.1	81.2
HQ180GF	Prime	62.2	62.5	68.2	68.5	80.6	80.8	64.9	65.1	70.9	71.1	84.2	84.4
	Standby	62.3	62.6	68.3	68.6	80.6	80.8	65.0	65.1	71.0	71.1	84.3	84.4
HQ200GF	Prime	66.0	66.2	72.0	72.2	85.3	85.5	68.4	68.5	74.4	74.5	88.1	88.1
	Standby	66.0	66.4	72.0	72.4	85.4	85.6	68.5	68.6	74.5	74.6	88.1	88.1
HQ300GF	Prime	66.0	66.4	72.0	72.4	85.4	85.6	-	-	-	-	-	-
	Standby	66.1	66.6	72.1	72.6	85.4	85.7	-	-	-	-	-	-